

SPECIFICATIONS

MODEL	(1) EXCAVATOR WEIGHT APPROX		ATTACHMENT WEIGHT APPROX		(2) GRAPPLE CAPACITY APPROX		GRAPPLE OPENING		FULLY CLOSED		FRONT HALF WIDTH		BACK HALF WIDTH	
	(lbs)	(m tons)	(lbs)	(kg)	(cu yds)	(cu m)	(in)	(mm)	(in)	(mm)	(in)	(mm)	(in)	(mm)
RGS 190	30,000–50,000	14–23	2,300	1,043	0.75–1.25	0.57–0.96	62	1,575	14.5	368	18	457	30	762
RGS 191	50,000–75,000	23–34	2,950	1,338	3.00–3.50	2.29–2.68	92	2,337	18	457	20.5	521	32.5	826
RGS 192	75,000–110,000	34–50	6,350	2,880	4.00–5.00	3.06–3.82	105	2,667	27.5	699	30	762	44	1,118
RGS 193	110,000–160,000	50–73	8,400	3,810	5.00–6.50	3.82–4.97	128	3,251	20	508	34	864	52	1,321

(1) Excavator weight recommendation is based on standard excavator weights and boom and/or arm lengths. All applications must be approved by LaBounty Manufacturing prior to sale.

(2) Actual payload will depend upon materials handled.

NOTE: Weights, dimensions and operating specifications listed here are subject to change without notice. Where specifications are critical to your application, consult LaBounty.

LaBounty RGS Grapples are hanging grapples with synchronized jaws designed for severe duty applications such as scrap recycling, rock and log handling.

The RGS consists of a two tine – three tine configuration with the two tine grapple half bypassing into the three tine half. This makes the RGS ideal for handling single items, bulk scrap and single, large bulky items such as car bodies with equal effectiveness.

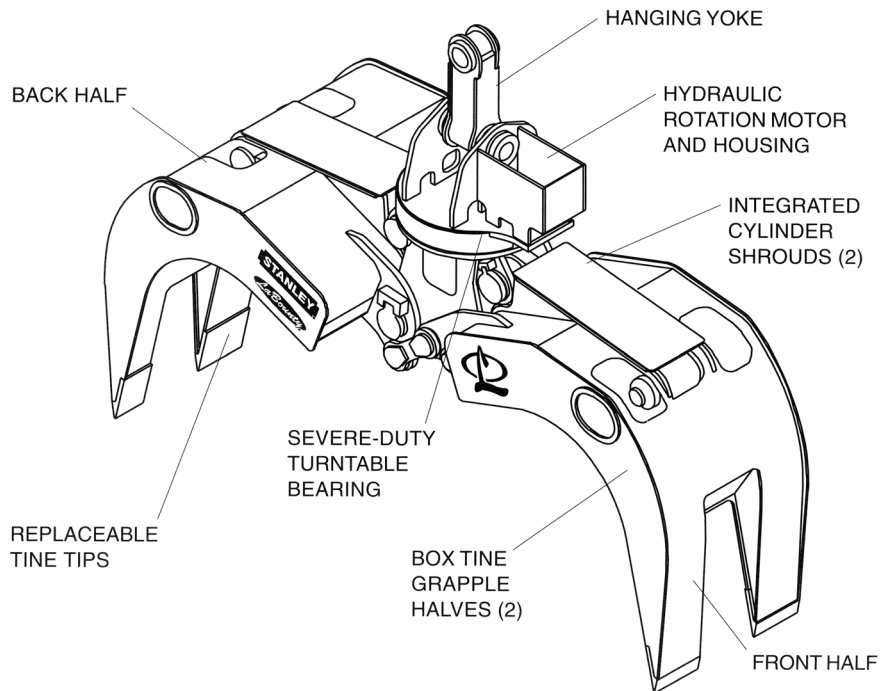
360° Continuous Rotation. Each RGS Grapple model features a 360° continuous rotation, severe duty turntable.

Built to Last, RGS Grapples are manufactured of abrasion resistant, high strength alloy steel for minimal weight, yet maximum strength. Linkage pins are hardened steel with heat treated bearings.

Standard Equipment includes integrated cylinder shrouds and hanging yoke.

Hydraulic Requirements. Two hydraulic circuits are required: one for opening and closing the grapple halves and one for rotation. LaBounty offers a hydraulic rotation kit. Knock-around rotation is available upon request.

RGS Grapple Components



RGS GRAPPLE OPTIONS, ACCESSORIES AND WEAR PARTS

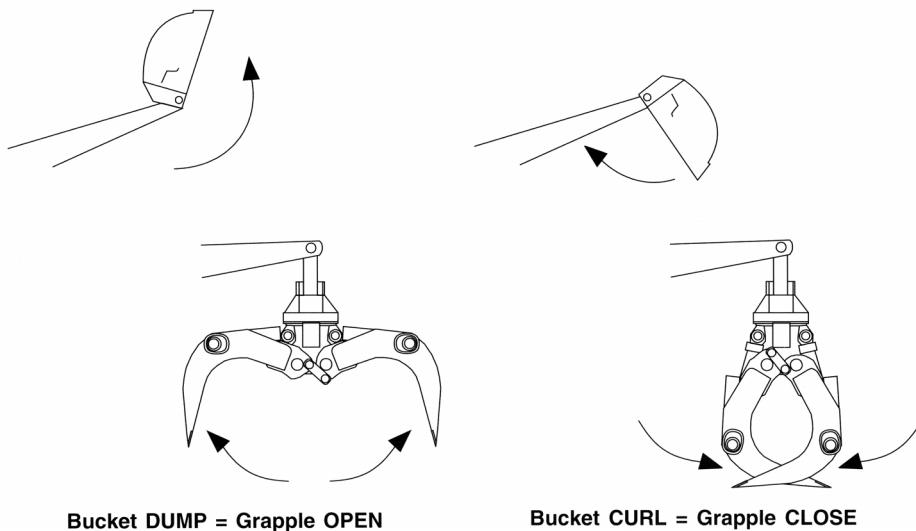
The items listed below are available for all RGS Grapples

- External Hydraulic Rotation Kit (dealer or end-user installed on base machine)
- Wear Package for highly abrasive applications
- Pointed tine tips (better penetration into some scrap piles)
- At-Factory Upgrade and Rebuilding Services
- 1 into 2 tine configuration available

Multiple Machine Mount Capability. When an order is placed for an RGS Grapple, it will be manufactured specifically to pin on the excavator for which it was ordered. However, provided the flow and pressure of another excavator are equivalent, the grapple may be converted by ordering another yoke. Please consult the LaBounty Inside Sales Department to determine compatibility, price and delivery schedule of custom yokes.

RGS Grapple Operation

The LaBounty RGS Grapple replaces the bucket of an excavator. The bucket dump control operates the grapple open and the bucket curl operates the grapple close. An additional hydraulic circuit is required for grapple rotation.



WARRANTY

LaBounty RGS Grapples carry a limited warranty against defects in material and workmanship for 12 months or 1,500 hours from the date of purchase.

LaBounty reserves the right to repair or replace only those parts which prove to have been defective at the time of purchase.

Ask your dealer to explain this warranty in detail.

SAFETY FIRST! Please read, observe and follow the safety precautions found in the LaBounty Operations, Safety and Maintenance Manual shipped with your attachment.

Stanley Hydraulic Tools
LaBounty
1538 Highway 2
Two Harbors, MN 55616 USA
Tel: 218-834-2123 or 1-800-522-5059 Fax: 218-834-3879

STANLEY

LaBounty